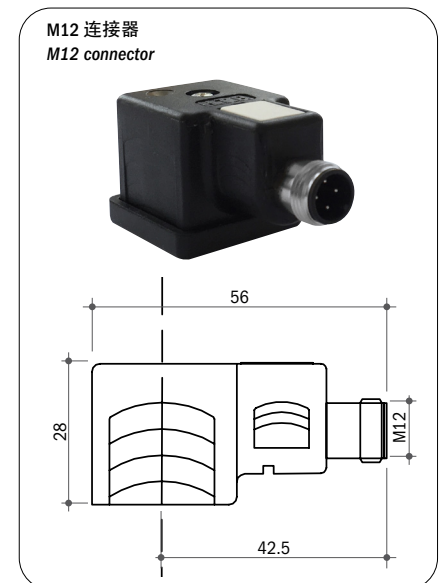
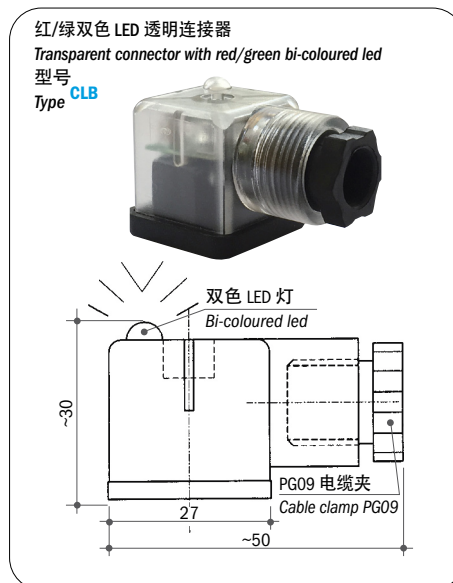
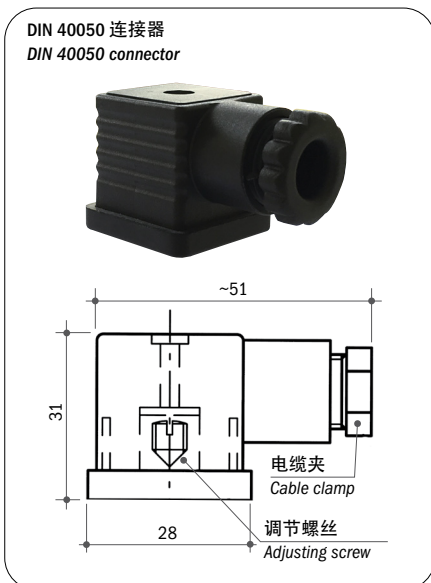


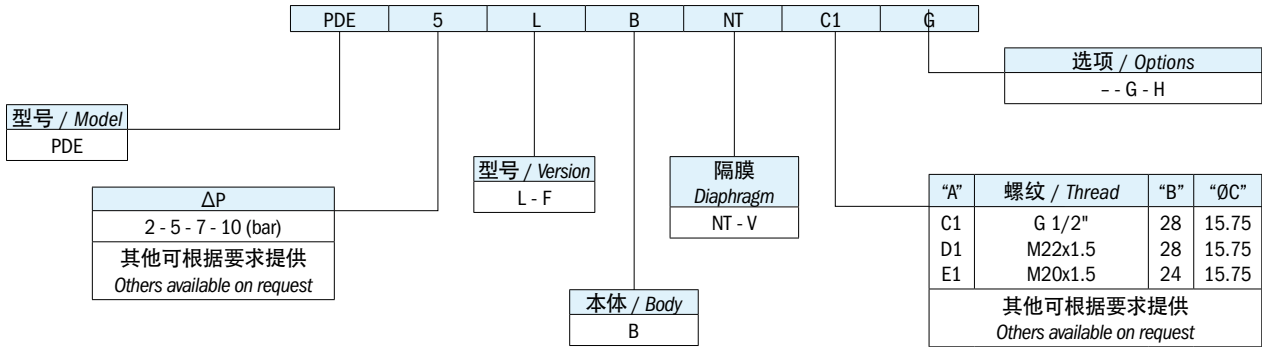
最大电压	220 V - 50 Hz	Max. voltage	220 V - 50 Hz
最大电流	3 A 24 Vdc - 1 A 220 Vac (Res.)	Max. current	3 A 24 Vdc - 1 A 220 Vac (Res.)
金触点 (G)	0.1 A 30 Vdc	Gold contacts (G)	0.1 A 30 Vdc
大电流 (H)	7 A 250 Vac	High current (H)	7 A 250 Vac
击穿电压	300 V	Breakdown voltage	300 V
工作温度	-25°C...+140°C带HNBR密封圈 -5°C...+90°C带FKM密封圈	Operating temp.	-25°C to +140°C with HNBR seal -5°C to +90°C with FKM seal
设置 ΔP	2;5;7;10 bar ± 10%	Settings ΔP	2;5;7;10 bar ± 10%
固定滞后	设定点的30%	Fixed hysteresis	30% of set-point
最大压力	450 bar	Max. pressure	450 bar
最大压差	50 bar	Diff. max. pressure	50 bar
流体兼容性	矿物油、合成油、HFA、HFB、HFC, 符合ISO 2943标准	Compatibility with fluids	Mineral oil, synthetic fluids, HFA, HFB, HFC according ISO 2943
防护等级	IP 67 见第8页	Protection	IP 67 see page 8
本体材料	黄铜	Body material	Brass
电气外壳	PA66 25% G.F.	Electric housing	PA66 25% G.F.
连接器	黑色尼龙	Connector	Black nylon
触点	镀银 (根据要求镀金)	Contacts	Silver plated (gold plated on demand)
密封圈	HNBR / FKM	Seals	HNBR / FKM
电触点	单刀双掷	Electrical contacts	SPDT
连接器	DIN 43650 PG9 或 PG11	Connector	DIN 43650 PG9 or PG11

### 可用电气连接 / AVAILABLE ELECTRICAL CONNECTIONS

#### 防护等级IP 67 / IP 67 PROTECTION



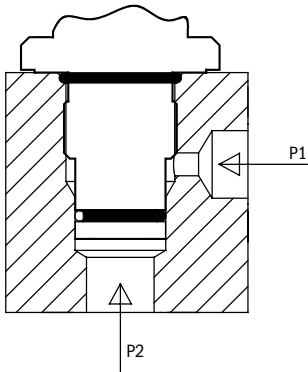
### 如何订购 / HOW TO ORDER



### 订购信息 / ORDERING INFORMATION

PDE	压差控制器 - 阻塞指示器		
本体材料 Ch 27 (见一般规格)	B	黄铜	
型号	L	P1>P2	ΔP= P1-P2
	F	P2>P1	ΔP= P2-P1
可用隔膜 / 密封垫	NT	HNBR	(-25°C...+140°C)
	V	FKM	(-5°C...+90°C)
可用螺纹	C1	G 1/2"	
	D1	M22x1.5	
	E1	M20x1.5	
选项	-	标准执行	
	G	用于低电流的镀金触点	
	H	用于大电流的微动开关 7 A - 250 Vac	

PDE	Differential pressure switch - Clogging indicator		
27 AF body material (see general specifications)	B	Brass	
Version	L	P1>P2	ΔP= P1-P2
	F	P2>P1	ΔP= P2-P1
Available diaphragm/ seal	NT	HNBR	(-25°C to +140°C)
	V	FKM	(-5°C to +90°C)
Available threads	C1	G 1/2"	
	D1	M22x1.5	
	E1	M20x1.5	
Options	-	Standard execution	
	G	Gold-plated contacts for low current	
	H	High current microswitch 7 A - 250 Vac	



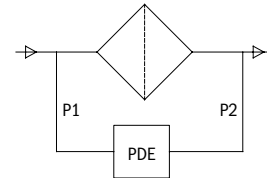
L型或F型的选择取决于在安装该产品的回路中压力较高的一侧。

The choice of the L or F version depends on the side where the higher pressure is present in the circuit where the product is installed.

L型 / Version L - P1 > P2  
F型 / Version F - P2 > P1

例如：在一个压力过滤器中，最高压力在过滤器的上游。  
Ex: In a filter under pressure, the higher pressure is upstream of it.

在这种情况下，P1 > P2 ==> L型 / In this case P1 > P2 ==> Version L



### 一般规格 / GENERAL SPECIFICATIONS

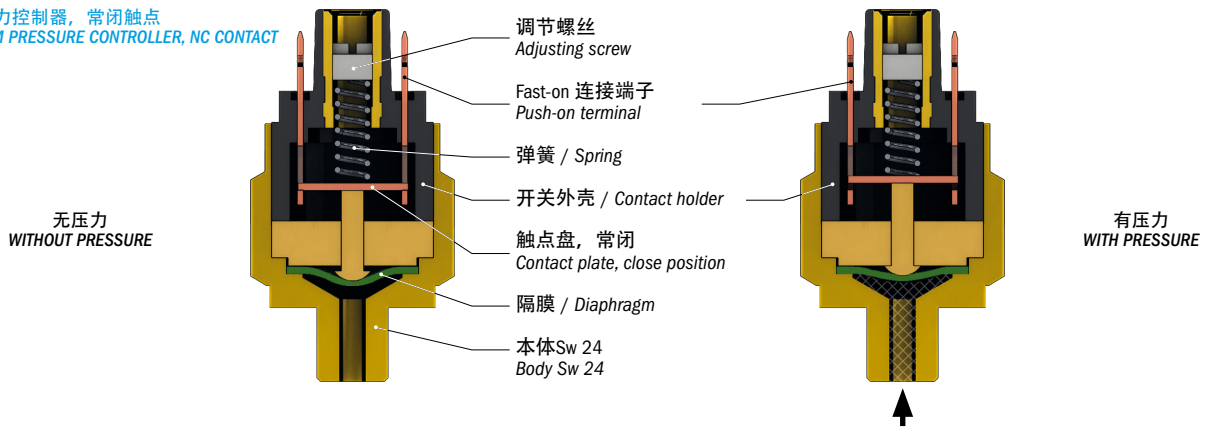
型号 MODEL	切换压力 SWITCHING PRESSURE bar	最大静压 MAX. STATIC PRESSURE bar	25°C 时公差 TOLERANCE AT 25°C bar	重量 WEIGHT g
		黄铜配置本体 BRASS BODY EXECUTION		
PDE 2	2	450	+ 10%	165
PDE 5	5	450	+ 10%	
PDE 7	7	450	+ 10%	
PDE 10	10	450	+ 10%	

Elettrotec保留未经事先通知更改产品技术数据或暂停生产的权利。该压力控制器触点受到强烈冲击或震动时可能会损坏。用户有责任对我们的产品是否适合特定应用进行测试，例如，材料的兼容性测试。仅在现场试验中得到证实的使用才是适当的。该样本中的技术信息基于产品开发过程中的测试和经验值的积累，他们可能并不适用于所有情况。

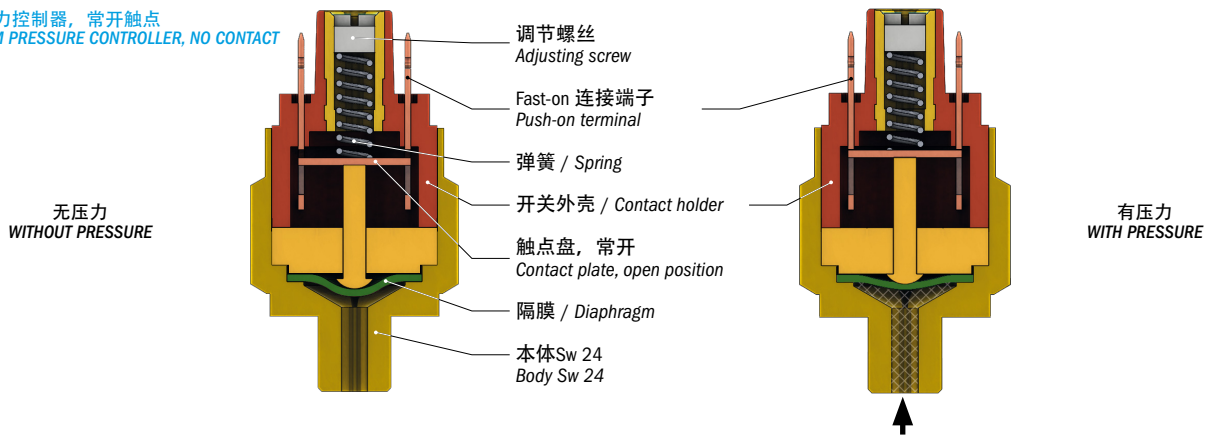
Elettrotec reserves the right to technical data of change to the products or halt production without prior notice. The pressure controller contacts can be damaged when subject to strong shocks or high vibration. It is the responsibility of the user to test the suitability of our products for the particular application, for example, the verification of material compatibility. The use may only be appropriate if proven in field tests. The technical information in this catalogue are based on tests made during product development and based on empirically gathered values. They may not be applicable in all cases.

# 常规技术参数 GENERAL TECHNICAL DATA

隔膜式压力控制器，常闭触点  
DIAPHRAGM PRESSURE CONTROLLER, NC CONTACT



隔膜式压力控制器，常开触点  
DIAPHRAGM PRESSURE CONTROLLER, NO CONTACT



建议紧固力矩 / RECOMMENDED TIGHTENING TORQUES

黄铜 / Brass		镀锌钢 Zinc plated steel		316不锈钢 / S.s. 316	
螺纹 Thread	建议紧固力矩* Recommended tightening torque Nm	螺纹 Thread	建议紧固力矩* Recommended tightening torque Nm	螺纹 Thread	建议紧固力矩* Recommended tightening torque Nm
R18	17	R18	22	R18	24
18K	17	18K	22	18K	24
18NPT	17	18NPT	22	18NPT	24
5/8UNF	30	5/8UNF	40	5/8UNF	45
R12	40	R12	55	R12	60
R14	25	R14	35	R14	40
14K	25	14K	35	14K	40
14NPT	25	14NPT	35	14NPT	40
M10	18	M10	25	M10	30
M12	23	M12	32	M12	35
10K	18	10K	25	10K	30
34K	50	34K	70	34K	80

电气触点分类 / ELECTRICAL CONTACTS APPLIED













触点材料 / Contacts			DIN-EN-60947-5-1 标准 Standard DIN-EN-60947-5-1	IEC60617电气符号 Symbol IEC 60617
NO	NO 常开 NO normally open	单刀单掷 SPST	X	
NC	NC 常闭 NC normally closed	单刀单掷 SPST	Y	
SC	SC 可切换 CO change over (snap action)	单刀双掷 SPDT	C	

\* 不适当的扭矩可能会影响开关的机械寿命。相关法规以多种方式表达。通过改变用于制造开关本体的材料类型，也将改变紧固扭矩。

\* Improper torque may affect the mechanical life of the switch. The relevant legislation has been expressed in various ways. By varying the type of material used to make the switch body, will also vary the tightening torque.

# 压力控制器 / PRESSURE CONTROLLERS

## 电气保护 ELECTRIC PROTECTIONS

		PMN	PMM	PM250	MS	PS	PSM PSP	PMC PMC...D	PPC PPCF	PPC...D PPCF...D	PML	PPL	PSK	MPS	PHP	PHC
<b>页 / Page</b>		9	11	13	15	15	17...24	25	27	27	29	29	31	33	35	37
电气保护IP54 <i>IP 54 electric protection</i>	保护帽1 CAP. 1 	●	●	●											●	
	保护帽10 CAP. 10 	●	●												●	
	保护帽12 CAP. 12 						●									
	保护帽16 CAP. 16 				●	●								●		
	保护帽30 CAP. 30 															●
	保护帽31 CAP. 31 															
电气保护IP65 <i>IP 65 electric protection</i>	保护帽3 CAP. 3 	●	●	●											●	
	保护帽13 CAP. 13 				●	●										
	DIN 40050 连接器 <i>DIN 40050 connector</i> 						●	●	●	●	●	●	●	●	●	●
电气保护IP67 <i>IP 67 electric protection</i>	保护帽14+飞线+连接器 <i>CAP. 14 + flying leads + connector</i> 	●		●	●	●									●	
	M12连接器 / M12 connector 				●	●	●	●	●	●	●	●	●	●	●	
	Deutsch接头 													●		

## 电气数据 ELECTRIC DATA

		PMN	PMM	PM250	MS	PS	PSM PSP	PMC PMC...D	PPC PPCF	PPC...D PPCF...D	PML	PPL	PSK	MPS	PHP	PHC
电源 / <i>Power supply</i>	12 Vac/dc	●	●	●	●	●	●	●	●	●	●	●	●	●	●	●
	24 Vac/dc	●	●	●	●	●	●	●	●	●	●	●	●	●	●	●
	48 Vac/dc	●	●	●	●	●	●	●	●	●	●	●	●	●	●	●
	110 Vac/dc			●	●	●	●	●	●	●	●	●	●	●	●	●
	220 Vac/dc			●	●	●	●	●	●	●	●	●	●	●	●	●
	250 Vac/dc			●	●	●	●	●	●	●	●	●	●	●	●	●
最大电流 / <i>Max. current</i>	< 30 mA	●	●	●	●	●	●	●	●	●	●	●	●	●	●	●
	0.5 A	●	●	●											●	
	3 A							●	●	●	●	●	●			●
	4 A															●
	6 A				●	●	●									
	7 A													●		
	8 A															●
	10 A							●	●	●	●	●	●	●		
15 A															●	
镀银触点 / <i>Silver plated contacts</i>		●	●	●	●	●	●	●	●	●	●	●	●	●	●	●
镀金触点 / <i>Gold plated contacts</i>		●	●	●	●	●	●	●	●	●	●	●	●	●	●	●
固定复位差 / <i>Fixed hysteresis</i>		●	●	●	●	●	●	●	●	●	●	●	●	●	●	●
可调复位差 / <i>Adjustable hysteresis</i>							●									
本体 Ch 24 / <i>Body 24 AF</i>		●	●	●	●	●					●	●		●	●	
本体 Ch 27 / <i>Body 27 AF</i>							●									

ELETTROTEC保留未经事先通知更改产品技术数据或暂停生产的权利。该压力控制器触点受到强烈冲击或震动时可能会损坏。用户有责任对我们的产品是否适合特定应用进行测试，例如，材料的兼容性测试。仅在现场试验中得到证实的使用才是适当的。该样本中的技术信息基于产品开发过程中的测试和经验值的积累，他们可能并不适用于所有情况。

Elettrotec reserves the right to technical data of change to the products or halt production without prior notice. The pressure controller contacts can be damaged when subject to strong shocks or high vibration. It is the responsibility of the user to test the suitability of our products for the particular application, for example, the verification of material compatibility. The use may only be appropriate if proven in field tests. The technical information in this catalogue are based on tests made during product development and based on empirically gathered values. They may not be applicable in all cases.